

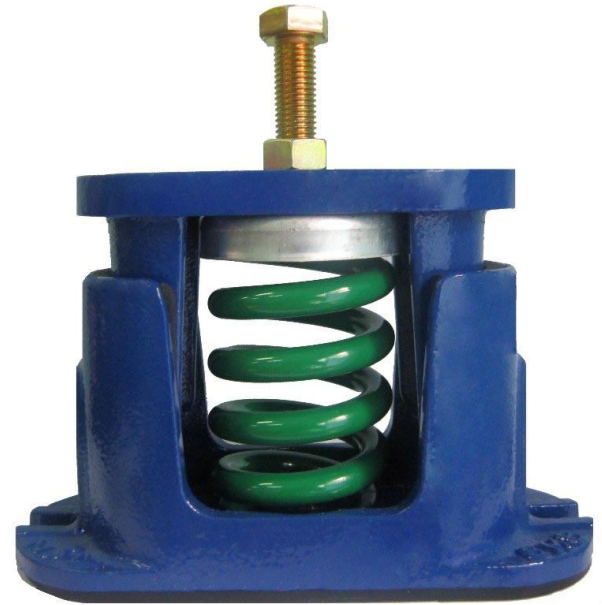
### DESCRIPTION

NSV Model SMB Spring Vibration Isolators consist of high deflection, color-coded stable springs assembled into telescoping cast iron or aluminum housings which are complete with a 1/4" (6 mm) thick ribbed noise isolation pad bonded to the lower load surface and with an adjusting and leveling bolt as a part of the top assembly. Slots or holes are provided in all isolators for bolting to the structure. Model SL Spring Isolators are available in deflections 1"(25 mm) & 2"(50mm) and with load capacities from 10 to 2,400 kg. Springs are epoxy powder. NSV Model SMB Spring Isolators are typically used to isolate vibration produced by mechanical, industrial, or process machinery where more damping is required and less motion can be tolerated than with free-standing spring isolators.

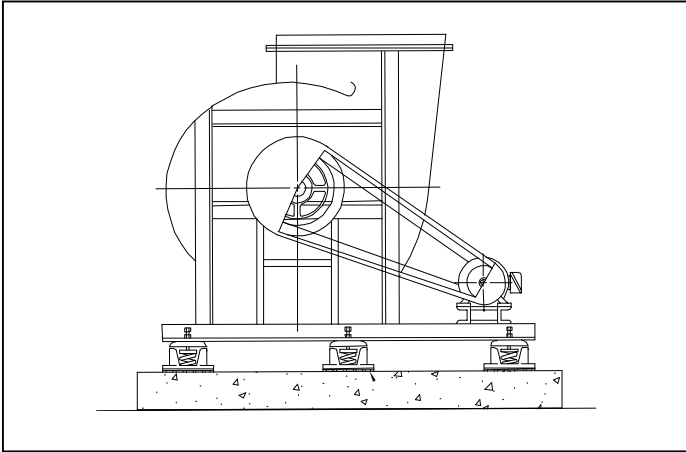
### APPLICATION

NSV Model SMB housed spring isolator mounts are used to isolate high and low frequency vibration generated by floor-mounted mechanical equipment located in non-critical areas.

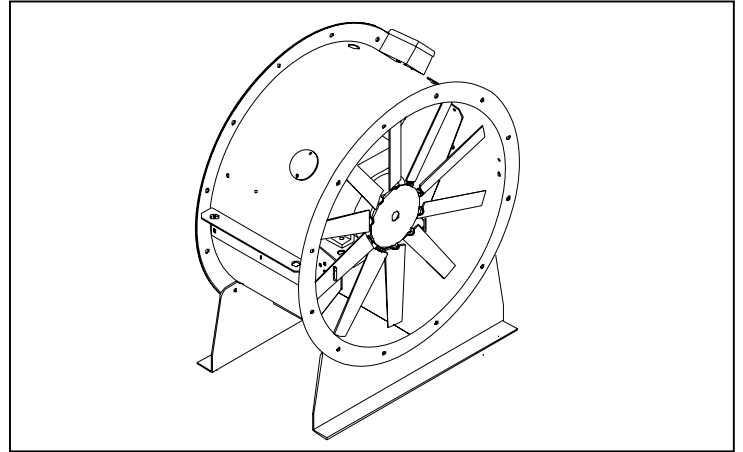
Model SMB mounts are typically used to isolate lightweight mechanical equipment, having lowest operating speeds of 1200 RPM, located on gradesupported slabs, or short structural floor spans, when the isolator-to-equipment connection is such that a leveling bolt can extend above the mount and act as a leveling and attachment bolt for supported equipment.



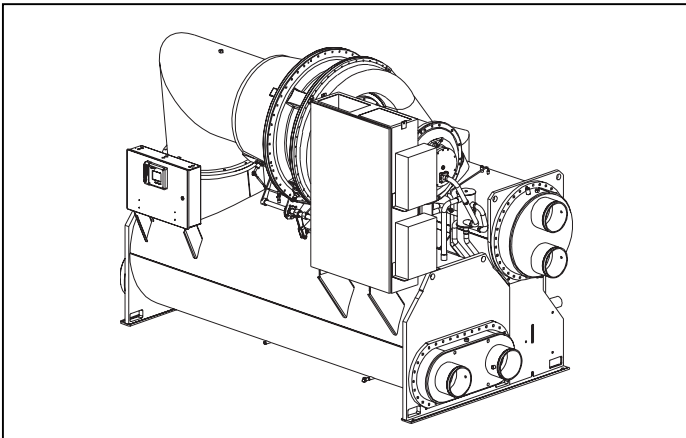
## TYPICAL APPLICATION



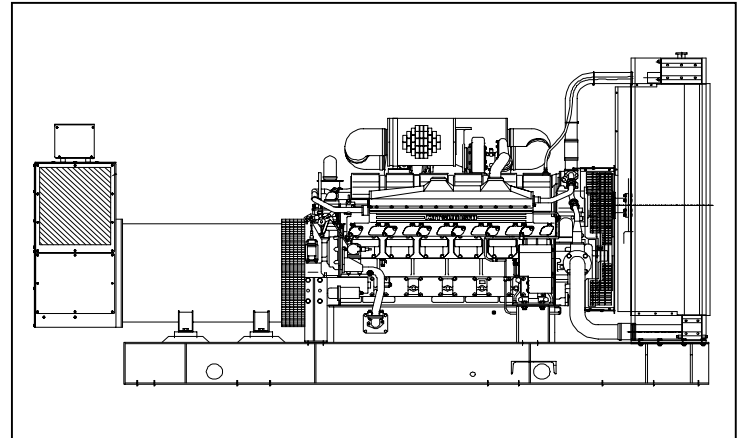
Centrifugal Fan



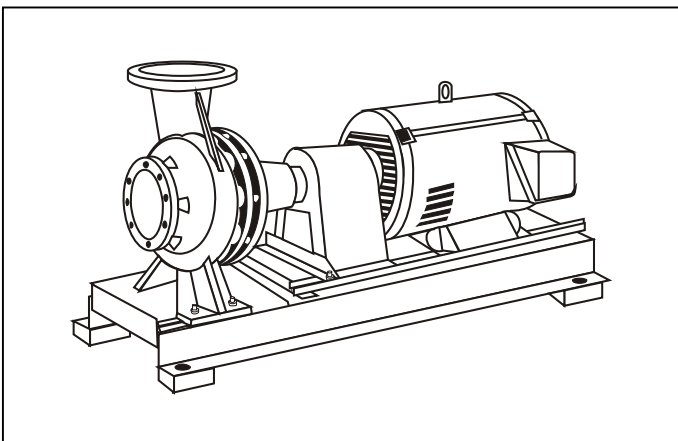
Axial Fan



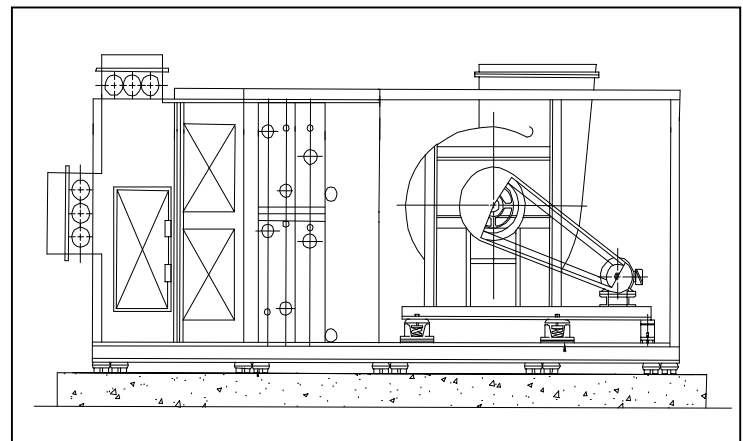
Water Chiller



Generator

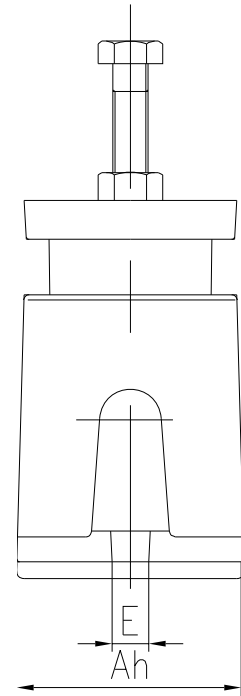
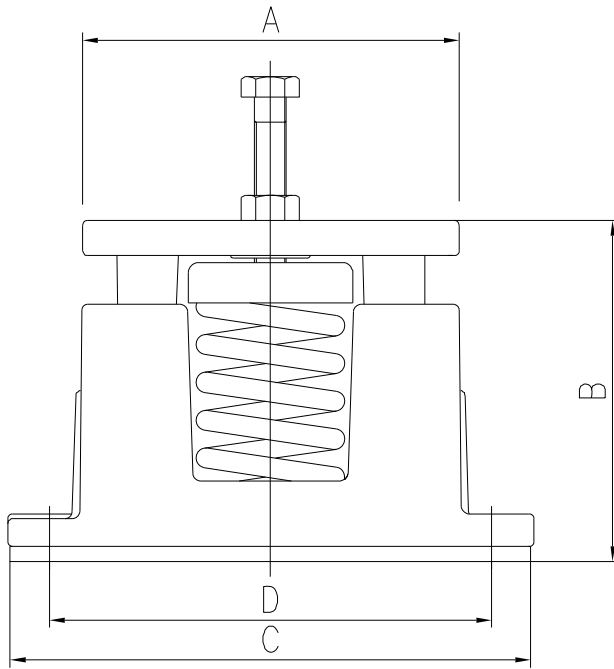


Pump



Air Handling Unit (AHU)

### DRAWING



### DIMENSION & SELECTION GUIDE BY LOADS

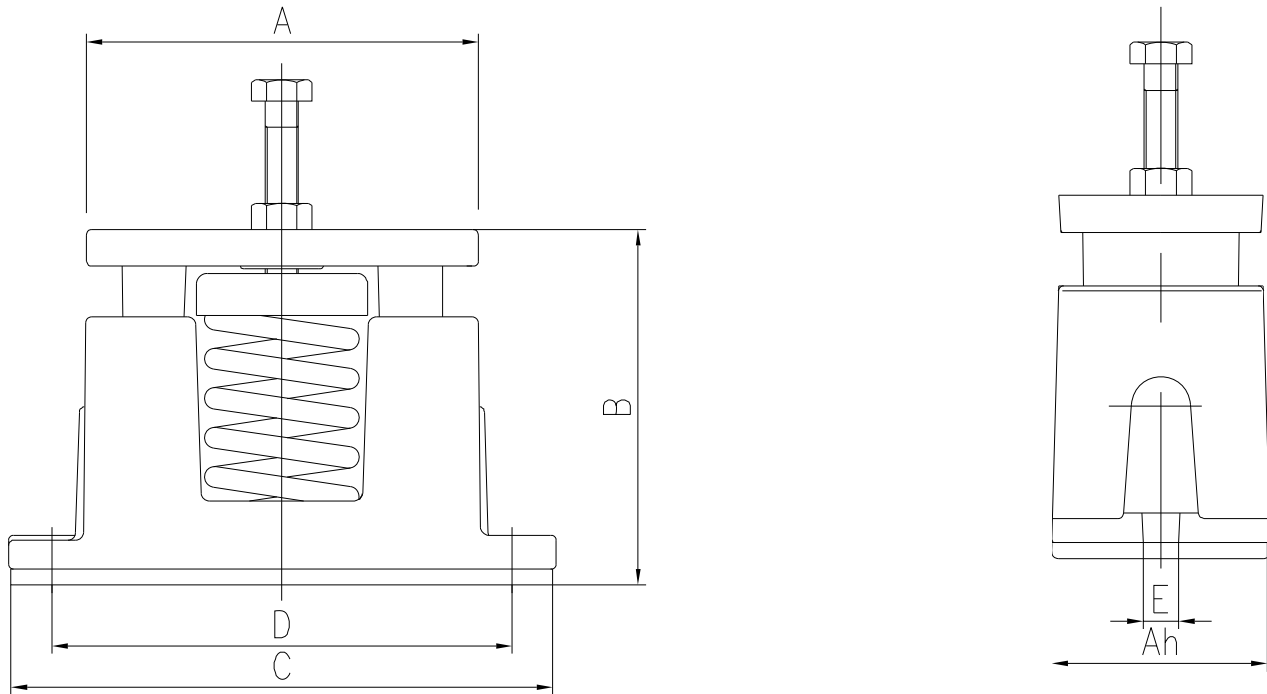
TYPE	Capacity (Kg)	Spring constant (Kgf/mm)	Deflection (mm)	Color	Dimension (mm)							Spring Only	
					A	B	C	D	E	Ah	Level Bolt	ØD	Freight height
SMB-A-10	10	0.4	25	Pink	95	102	132	120	57	11	M10 x 60	44	76
SMB-A-25	25	1.0	25	Yellow									
SMB-A-50	50	2.0	25	Red									
SMB-A-75	75	3.0	25	Black									
SMB-A-100	100	4.0	25	Blue									
SMB-B-150	150	6.0	25	Brown	136	134	188	170	80	13	M12 x 65	60	105
SMB-B-200	200	8.0	25	White									
SMB-B-300	300	12.0	25	Orange									
SMB-B-400	400	16.0	25	Pink									
SMB-C-500	500	20.0	25	Green	154	150	214	196	92	13	M16 x 80	72	122
SMB-C-600	600	24.0	25	Blue									
SMB-C-750	750	30.0	25	Black									
SMB-C-1000	1,000	40.0	25	Yellow									
SMB-C-1200	1,200	48.0	25	Red									
SMB-D-1500	1,500	60.0	25	Black	248	170	306	277	94	14	M16 x 80	72	122
SMB-D-2000	2,000	80.0	25	Yellow									
SMB-D-2400	2,400	96.0	25	Red									

# SMB2

# HOUSED SPRING MOUNT

2" (50mm) Deflection

## DRAWING



## DIMENSION & SELECTION GUIDE BY LOADS

TYPE	Capacity (Kg)	Spring constant (Kgf/mm)	Deflection (mm)	Color	Dimension (mm)						
					A	B	C	D	E	Ah	Level Bolt
SMB2-50	50	2.0	25	Red	160	178	236	208	118	14	M12 x 65
SMB2-100	75	3.0	25	Blue							
SMB2-150	100	4.0	25	Brown							
SMB2-200	150	6.0	25	White							
SMB2-300	200	8.0	25	Orange							
SMB2-400	300	12.0	25	Pink							
SMB2-500	400	16.0	25	Green							
SMB2-600	500	20.0	25	Blue							
SMB2-750	750	30.0	25	Black							
SMB2-1000	1,000	40.0	25	Yellow							



### SEOUL OFFICE

1601-1, SEOCHO-DONG, SEOCH-GU, SEOUL, KOREA

TEL: +82 2 598 1988 FAX: +82 2 598 1989

Website : [www.nsv.co.kr](http://www.nsv.co.kr) ; Email: overseas@nsv.co.kr

