

## DESCRIPTION

NSV Model SMA Spring Vibration Isolators consist of high deflection, free-standing, unhooused, large diameter, laterally stable steel springs assembled into an upper load plate and leveling assembly. To assure stability, the spring isolators have lateral spring stiffness greater than 1.0 times the rated vertical stiffness and are designed to provide a minimum of 50% overload capacity. Springs are epoxy powder coated. SMA isolators are available with deflections to 1" (25 mm), and in capacities from 10 to 2,400 kg. NSV Model SMA Spring Isolators are highly effective for control of both high and low frequency vibration produced by reciprocating air or refrigeration compressors, pumps, packaged air handling and air conditioning equipment, centrifugal and axial fans, internal combustion engines, etc.

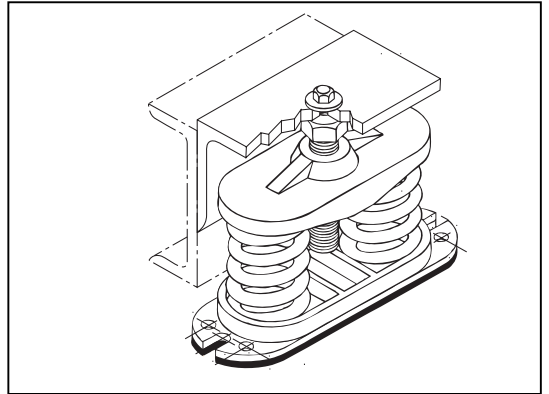
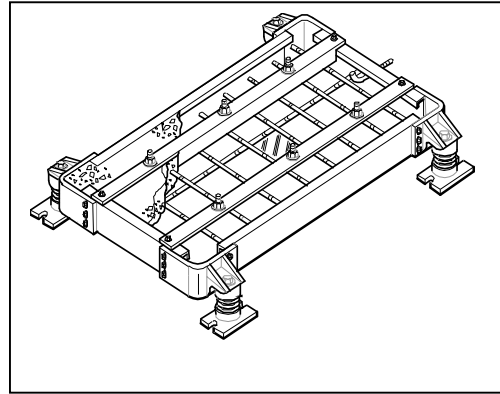
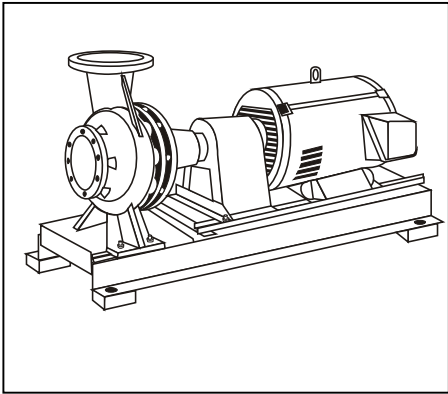
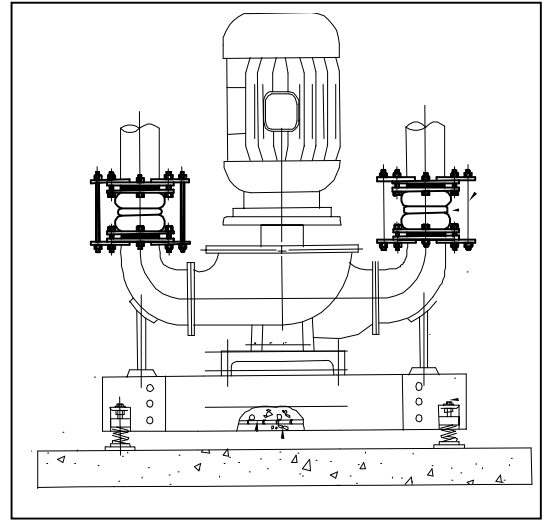
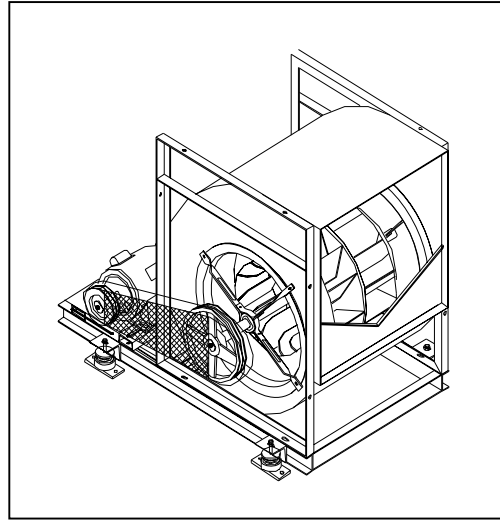
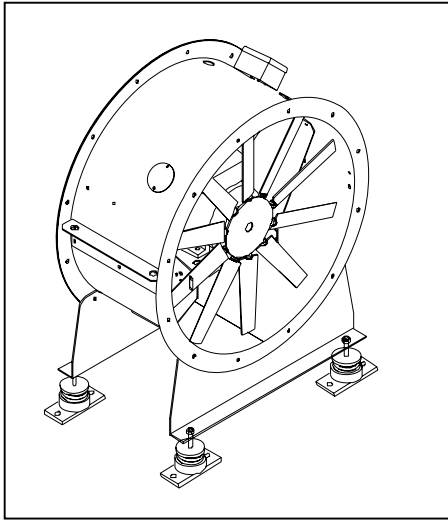


## APPLICATION

NSV Model SMA spring mounts are recommended for use in isolating floor mounted sources of noise and vibration located near critically quiet areas. Model SMA spring mounts are typically used to reduce the transmission of noise and vibration from low speed mechanical equipment into a building structure. Model SMA spring mounts are used in a wide range of applications and can be used to support and isolate the following equipment types: reciprocating air or refrigeration compressors, close coupled and base mounted pumps, packaged air handling and refrigeration equipment, centrifugal fans, internal combustion engines, and similar equipment. Model SMA Isolators are for use on equipment that is not subject to lateral forces such as wind.

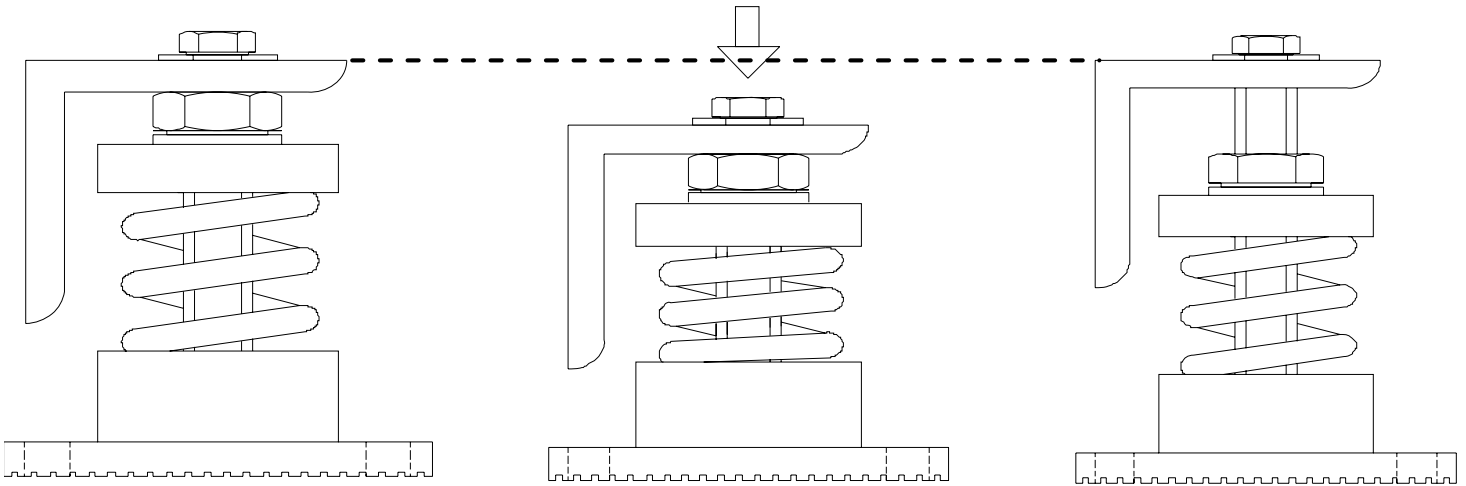


## TYPICAL APPLICATION



## DEFLECTION

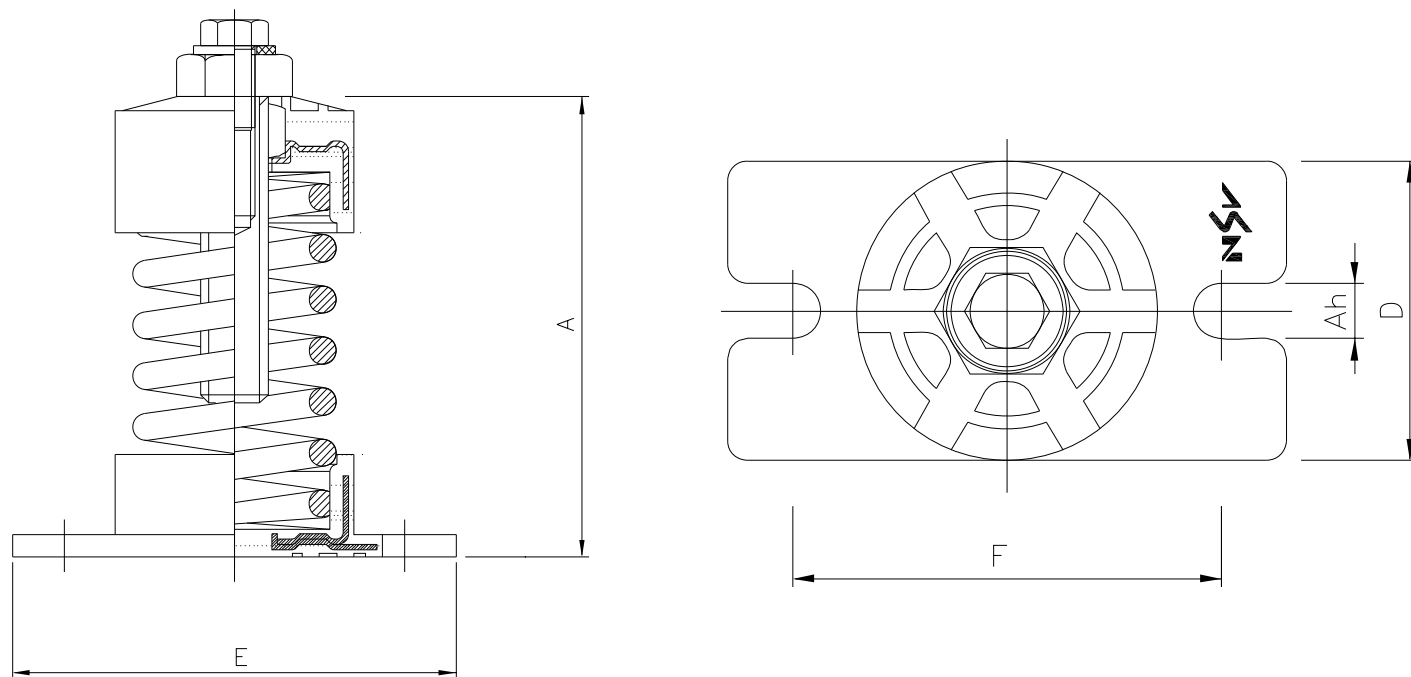
Deflection is the change in a flexible element's unloaded to loaded height.



Free Height

Adjusted to operating height

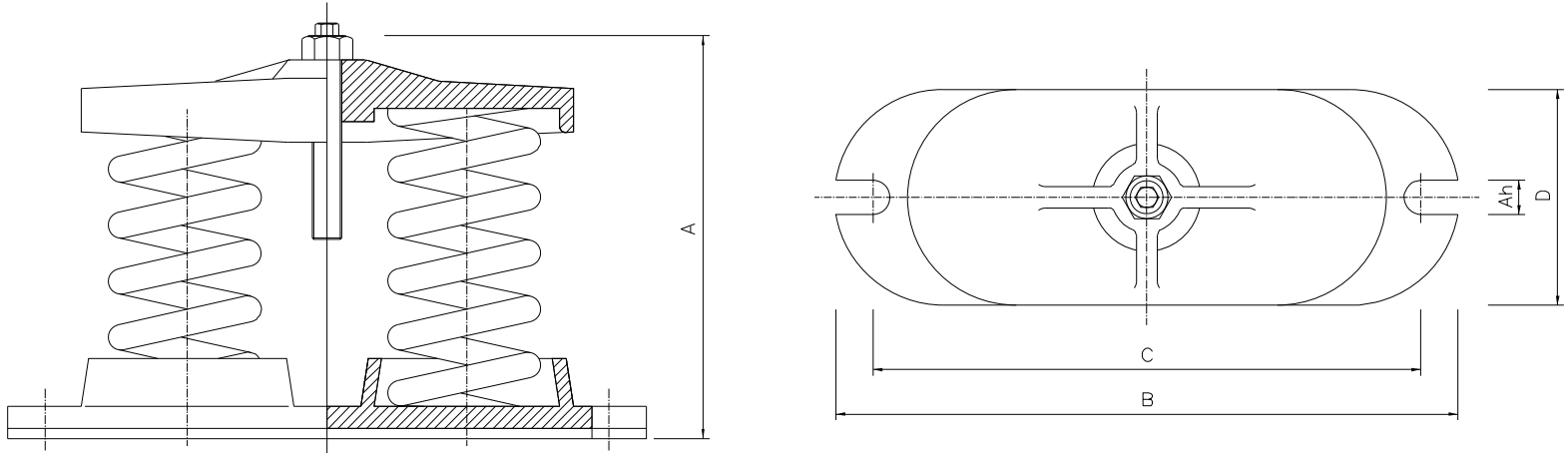
## DRAWING



## DIMENSION & SELECTION GUIDE BY LOADS

TYPE	Capacity (Kg)	Spring constant (Kgf/mm)	Deflection (mm)	Color	Dimension (mm)							Spring Only	
					A	D	E	F	Ah	Leveling Bolt	Cap Screw	ØD	Freight height
SMA-A-10	3 ~ 10	0.4	25	Pink	105	60	90	76	11	M16 X 60	M10 X 25	44	76
SMA-A-25	15 ~ 25	1.0	25	Yellow									
SMA-A-50	30 ~ 50	2.0	25	Red									
SMA-A-75	55 ~ 75	3.0	25	Black									
SMA-A-100	80 ~ 100	4.0	25	Blue									
SMA-B-150	110 ~ 150	6.0	25	Brown	135	70	130	100	13	M20 x 90	M12 X 25	60	105
SMA-B-200	160 ~ 200	8.0	25	White									
SMA-B-300	220 ~ 300	12.0	25	Orange									
SMA-B-400	320 ~ 400	16.0	25	Pink									
SMA-C-500	420 ~ 500	20.0	25	Green	150	84	149	120	13	M20 X 90	M12 X 25	72	122
SMA-C-600	520 ~ 600	24.0	25	Blue									
SMA-C-750	620 ~ 750	30.0	25	Black									
SMA-C-1000	800 ~ 1,000	40.0	25	Yellow									
SMA-C-1200	1,000 ~ 1,200	48.0	25	Red									

## DRAWING



## DIMENSION & SELECTION GUIDE BY LOADS

TYPE	Capacity (Kg)	Spring constant (Kgf/mm)	Deflection (mm)	Color	Dimension (mm)							Spring Only	
					A	B	C	D	Ah	Leveling Bolt	Cap Screw	ØD	Freight height
2SMA-1000	800 ~ 1,000	40.0	25	Green	168	252	218	97	14	M20 X 90	M12 X 25	72	122
2SMA-1200	1,000 ~ 1,200	48.0	25	Blue									
2SMA-1500	1,300 ~ 1,500	60.0	25	Black									
2SMA-2000	1,600 ~ 2,000	80.0	25	Yellow									
2SMA-2400	2,100 ~ 2,400	96.0	25	Red									



### SEOUL OFFICE

1601-1, SEOCHO-DONG, SEOCH-GU, SEOUL, KOREA

TEL: +82 2 598 1988 FAX: +82 2 598 1989

Website : [www.nsv.co.kr](http://www.nsv.co.kr) ; Email: overseas@nsv.co.kr

