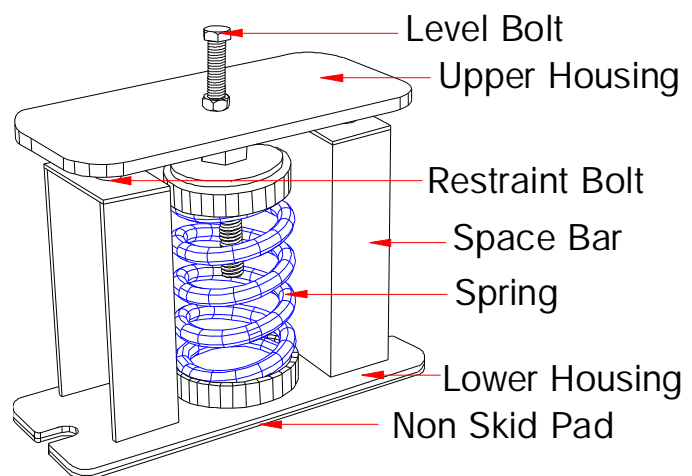


DESCRIPTION

Model FSL vibration isolators consist of free-standing, large diameter, laterally stable steel springs assembled into welded steel housing assemblies fabricated to limit vertical movement of the isolated equipment if equipment loads are reduced, or if the equipment is subjected to large external forces. The housings also provide a constant free and operating height to facilitate installation. Spring elements are complete with internal noise isolation pads and have an adjusting and leveling bolt as a part of the top load plate assembly. Springs are epoxy powder coated. Holes are provided in all isolators for bolting to the structure and to the supported equipment. The isolator can be welded to the structure as well. To assure stability, the springs have lateral spring stiffness greater than 1.0 times the rated vertical stiffness, and are designed to provide a minimum of 50% overload capacity. FLS Springs are available with deflections 1"(25mm), 2"(50mm), 3"(75mm) and with load capacities to 4,800 kg as standard products. Custom isolators with higher deflection and greater load capabilities are available. Model FSL spring isolators are recommended for the isolation of vibration produced by equipment carrying a large fluid load which may be drained, such as boilers, cooling towers and chillers, and for the isolation of cooling towers, air-cooled condensers, etc., where motion due to wind loads must be minimized.

APPLICATION

Kinetics Model FLS vertically restrained spring isolation mounts are recommended as a noise and vibration isolator for mechanical equipment located near critically quiet areas, when the equipment to be isolated has significant changes of weight during maintenance operations, and for equipment subjected to external forces or high wind loads.

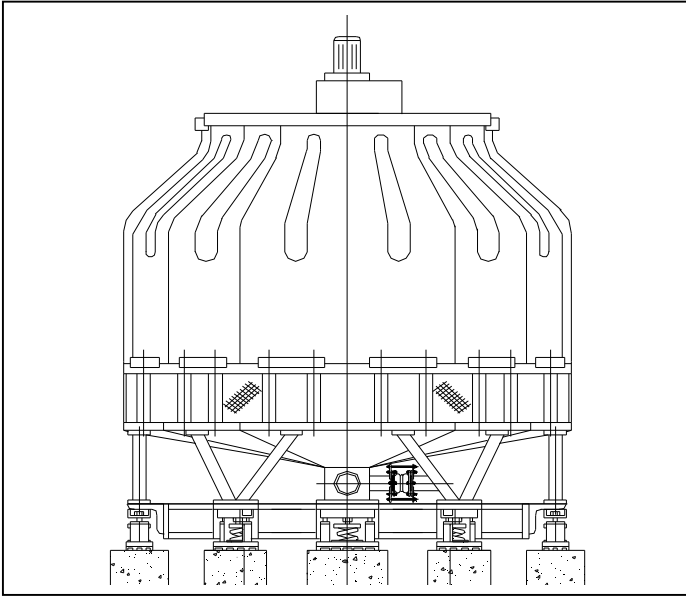


FSL

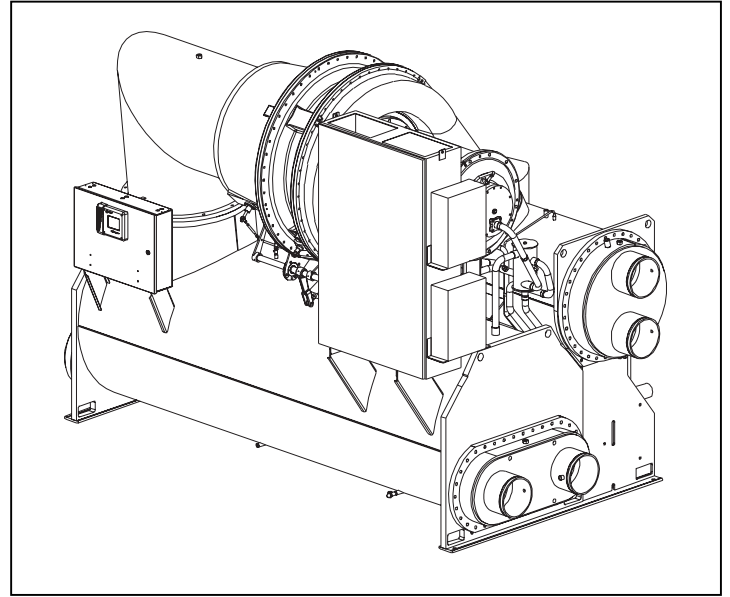
RESTRAINED SPRING MOUNT

1" (25mm), 2" (50mm), 3" (75mm), 4" (100mm) Deflection

TYPICAL APPLICATION



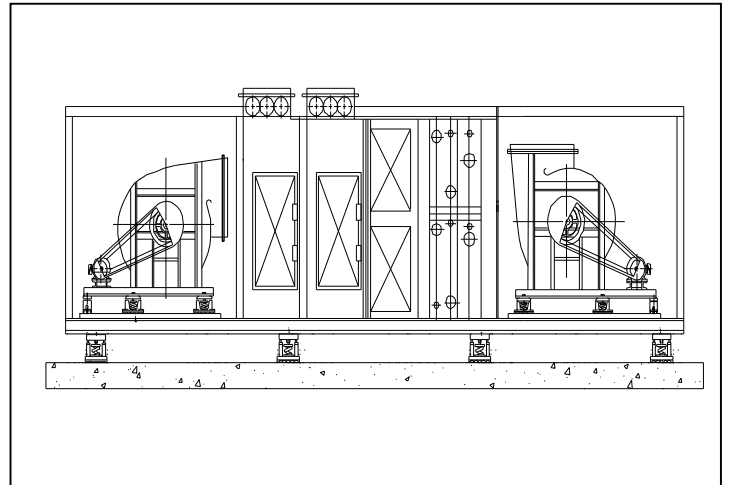
Cooling Tower



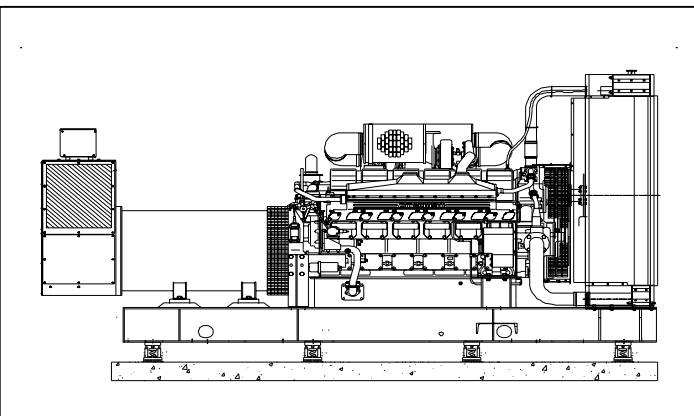
Water Chiller



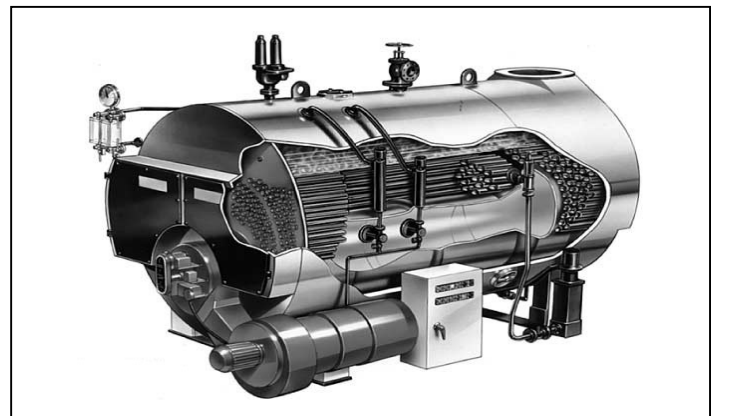
Air Chiller



Air Handling Unit (AHU)

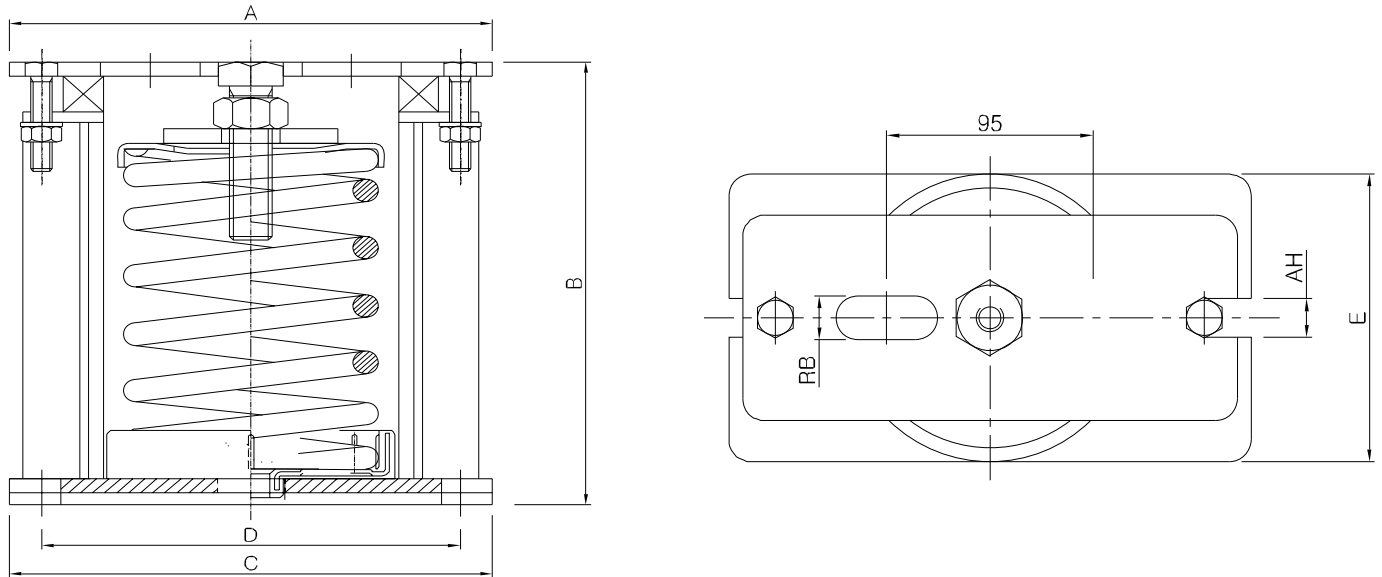


Generator



Boiler

DRAWING



DIMENSION & SELECTION GUIDE BY LOADS

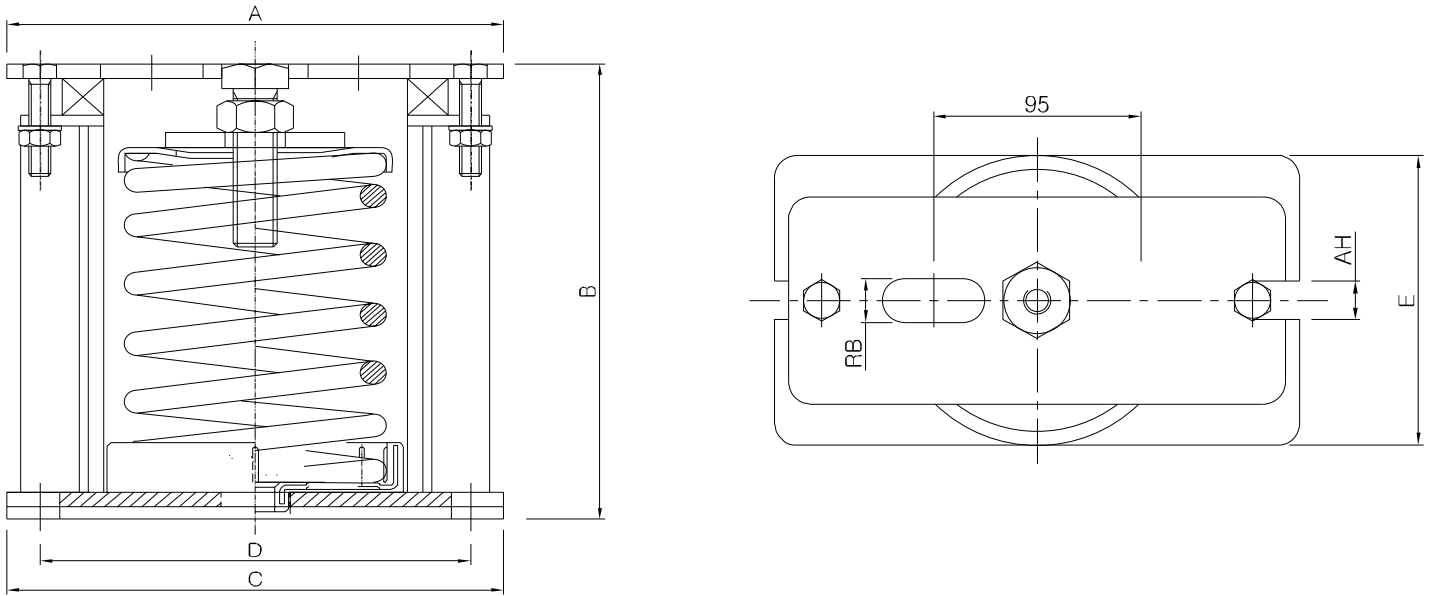
TYPE	Capacity (Kg)	Deflection (mm)	Spring Constant (Kgf/mm)	Color	Dimension (mm)							
					A	B	C	D	E	Ah	RB	Leveling Bolt
FSL2- A-150	150	50	3.0	Brown	190	194	190	156	90	14	16	M16 x 65
FSL2- A-200	200	50	4.0	White								
FSL2- A-300	300	50	5.0	Orange								
FSL2- A-400	400	50	6.0	Pink								
FSL2- A-500	500	50	10.0	Green								
FSL2- A-600	600	50	15.0	Blue								
FSL2- A-750	750	50	15.0	Black								
FSL2- A-1000	1,000	50	20.0	Yellow								
FSL2-B-1200	1,200	50	24.0	Red	250	280	250	216	140	14	16	M20 x 90
FSL2-B-1500	1,500	50	36.0	Black								
FSL2-B-1800	1,800	50	36.0	Blue								
FSL2-B-2000	2,000	50	36.0	Yellow								
FSL2-B-2400	2,400	50	48.0	Brown	270	330	270	230	160	14	16	M24 X 90
FSL2- 3200	3,200	50	64.0	White								
FSL2-4000	4,000	50	80.0	Orange								

FSL3

RESTRAINED SPRING MOUNT

3" (75mm) Deflection

DRAWING



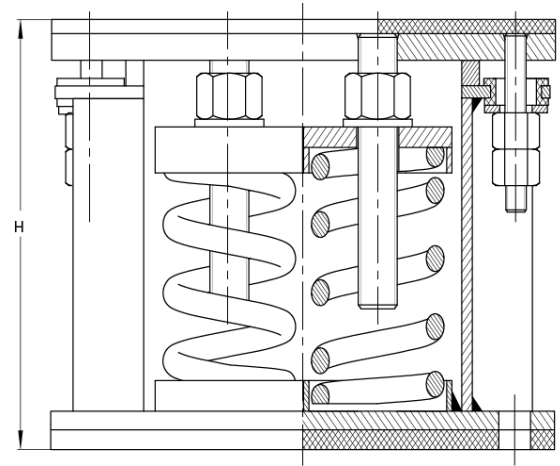
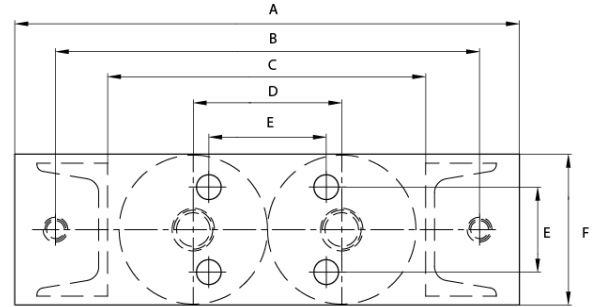
DIMENSION & SELECTION GUIDE BY LOADS

TYPE	Capacity (Kg)	Deflection (mm)	Spring Constant (Kgf/mm)	Color	Dimension (mm)							
					A	B	C	D	E	Ah	RB	Leveling Bolt
FSL3-A-100	100	75	1.3	Blue	250	240	250	216	140	14	16	M20 x 90
FSL3-A-150	150	75	2.0	Brown								
FSL3-A-200	200	75	2.7	White								
FSL3-A-300	300	75	4.0	Orange								
FSL3-A-400	400	75	5.3	Pink								
FSL3-B-600	600	75	8.0	Blue	250	280	250	216	140	18	16	M20 x 90
FSL3-B-750	750	75	10.0	Black								
FSL3-B-1000	1,000	75	13.3	Yellow								
FSL3-C-1200	1,200	75	16.0	Red	305	330	305	236	160	18	16	M24 X 90
FSL3-C-1500	1,500	75	24.0	Black								
FSL3-C-2000	2,000	75	32.0	Yellow								
FSL3-C-2500	2,500	75	32.0	Brown								

FSL4

RESTRAINED SPRING MOUNT

4" (100mm) Deflection



TYPE	Capacity (Kg)	Deflection (mm)	Quantity of spring	Color	Dimension (mm)								
					A	B	C	D	E	F	G	H	Leveling Bolt
FSL4-A-1300	1,300	100	2	Green	380	340	280	135	125	135	70	420	M16
FSL4-B-2100	2,100	100	2	Beige	380	340	280	135	125	135	70	420	M16
FSL4-A-3000	3,000	100	4	Green	400	350	280	133	125	210	75	425	M16
FSL4-B-4200	4,200	100	4	Beige	400	350	280	133	125	210	75	425	M16
FSL4-A-5500	5,500	100	6	Green	535	485	415	150	135	270	135	500	M16
FSL4-B-6500	6,500	100	6	Beige	535	485	415	150	135	270	135	500	M16



SEOUL OFFICE

1601-1, SEOCHO-DONG, SEOCH-GU, SEOUL, KOREA

TEL: +82 2 598 1988 FAX: +82 2 598 1989

Website : www.nsv.co.kr ; Email: overseas@nsv.co.kr

